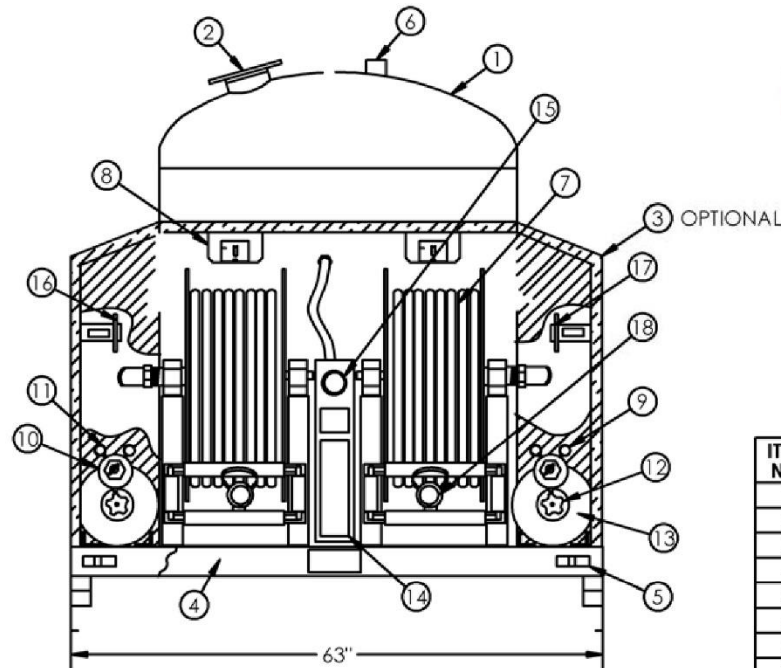
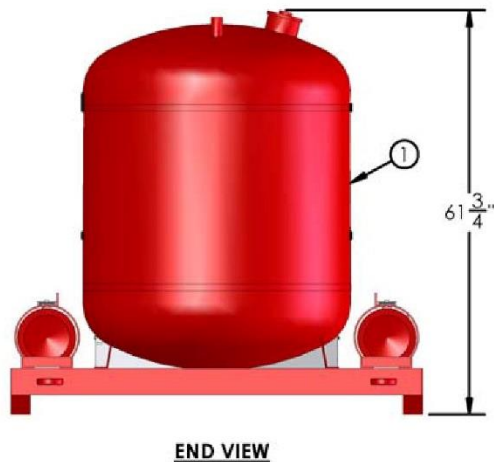
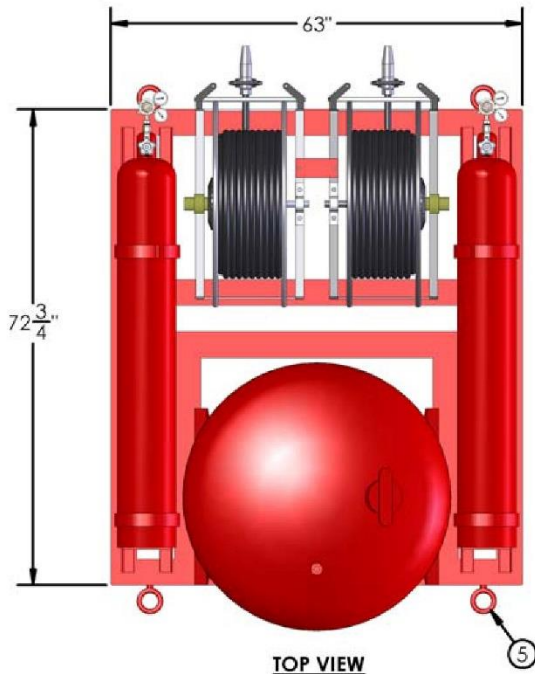




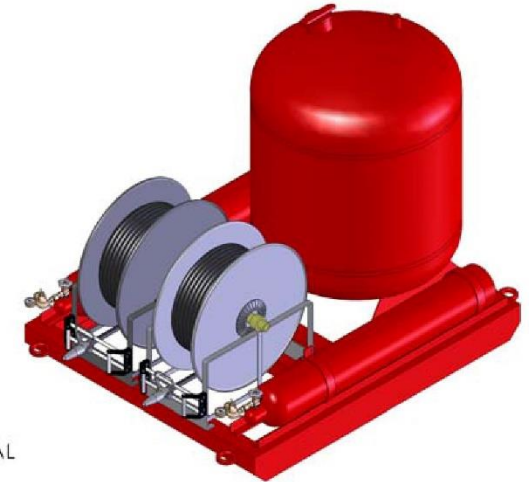
Quality is Behind the Diamond.



**AMEREX MODEL 903  
1500 LB DRY CHEMICAL UNIT**

EMPTY WEIGHT - 2,556

FULL WEIGHT - 4,056



**ISOMETRIC VIEW**

ITEM NO.	UNIT DESCRIPTION
1	A.S.M.E. CODE CYLINDER
2	4" FILLER CAP
3	REMOVABLE COWLING - OPTIONAL
4	SKID ASSEMBLY
5	TIE DOWN EYELET
6	250 POP-OFF
7	HOSE REEL MANUAL REWIND W/ 100FT 1" HOSE
8	REMOTE BLEED VALVE
9	REGULATOR PRESSURE GAUGE
10	NITROGEN REGULATOR
11	HIGH PRESSURE GAUGE
12	NITROGEN CYLINDER VALVE
13	NITROGEN CYLINDER
14	CONTROL CONSOLE
15	EXTINGUISHER PRESSURE GAUGE
16	MANUAL CONTROL VALVE-LEFT HOSE REEL
17	MANUAL CONTROL VALVE-RIGHT HOSE REEL
18	SHUT OFF