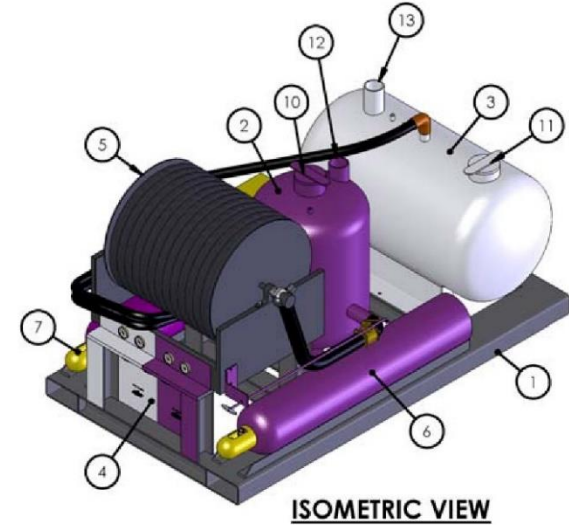
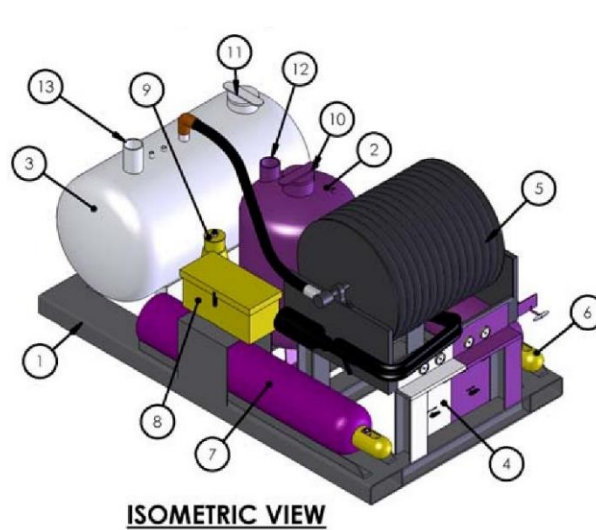
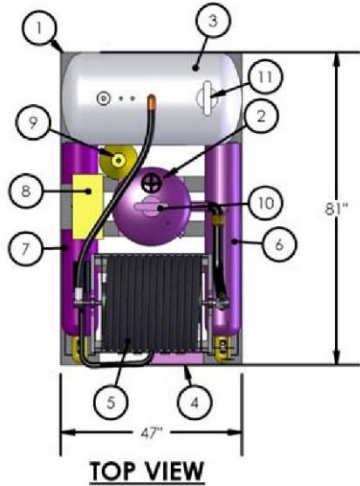




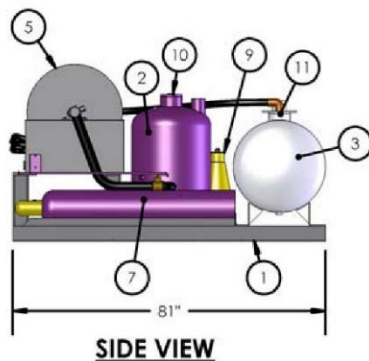
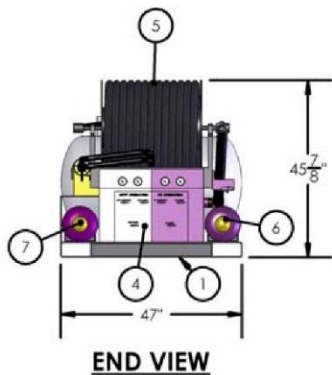
Quality is Behind the Diamond.



**AMEREX MODEL 920
TWIN AGENT UNIT 200 DC 80 AFFF**

Empty Weight - 1,364 lbs.

Full Weight - 2,230 lbs.



ITEM No.	UNIT DESCRIPTION
1	ALUMINUM SKID W/ COMMERCIAL FORKFIPT CAPABILITIES
2	200 LBS DRY CHEMICAL TANK
3	80 GALLON AFFF TANK
4	CONTROL PANEL
5	HOSE REEL W/ 100 FT. TWIN 1" HOSES & SHUT OFF
6	220 CF DC EXPELLANT BOTTLE
7	220 CF AFFF EXPELLANT BOTTLE
8	TOOL BOX
9	FUNNEL
10	FILL CAP - DRY CHEMICAL
11	FILL CAP - AFFF
12	250 PSI POP OFF - DRY CHEMICAL
13	250 PSI POP OFF - AFFF